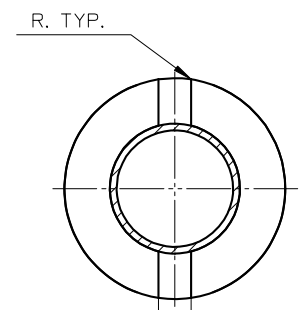
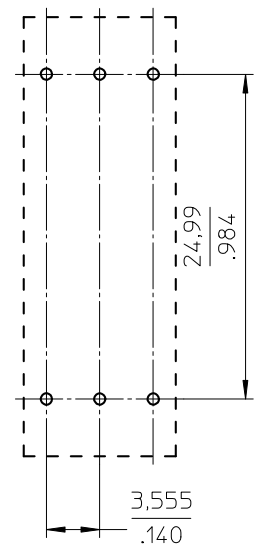
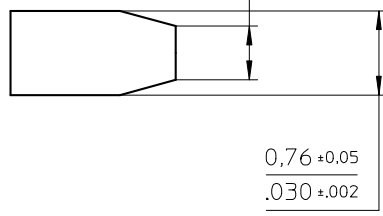


Grid pattern



VIEW B - B (ENLARGED)



Coil former material: Zytel 70G33L (PA), glass-reinforced.
 UL file number: E41938 - UL94HB.
 max. operating temp: 130°C, class B
 pin material: 70.30 Brass, Sn plated,
 solderability: acc. to IEC 60 068-2-20 part2, Test Ta method 1, 235°C-2sec.
 mean length of turn: 1.75 inch (44.5 mm)
 winding area: 0.010 sq. inch (7.03 mm²) per sect.

Dimensions [$\frac{\text{mm}}{\text{inch}}$]

CLASSNO.		CPV-P22/13-3S-6PD-Z		4335 060 26561		06-01-30		07-12-19	
NAME NAAM	Wojtasz	SUPERS. VERV.		SFISH BL BL	112 - 001	A3			
MPA	CHECK CONTR.	DAT.	06-01-30	Property of Eigenaam van	© FERROXCUBE 2000				